

SUPPLEMENT SHEET

Addition to lamp replacement procedure on page #1

Align the red marked pin on new target lamp with red marked slot in target lamp socket, push target lamp inward toward the lamp socket and rotate lamp clockwise until it stops. Release lamp, and it will lock in place.

**OPTEC® 900 COLORVISION TESTER
MAINTENANCE INSTRUCTIONS
(LAMP/FUSE REPLACEMENT INSTRUCTIONS)**

TO BE PERFORMED BY QUALIFIED SERVICE PERSONNEL

DISCONNECT POWER BEFORE SERVICING

ACCESS TO SERVICE COMPARTMENT

- o Loosen (2) screws on door panel.
- o Open door and lay unit on side, open side up.

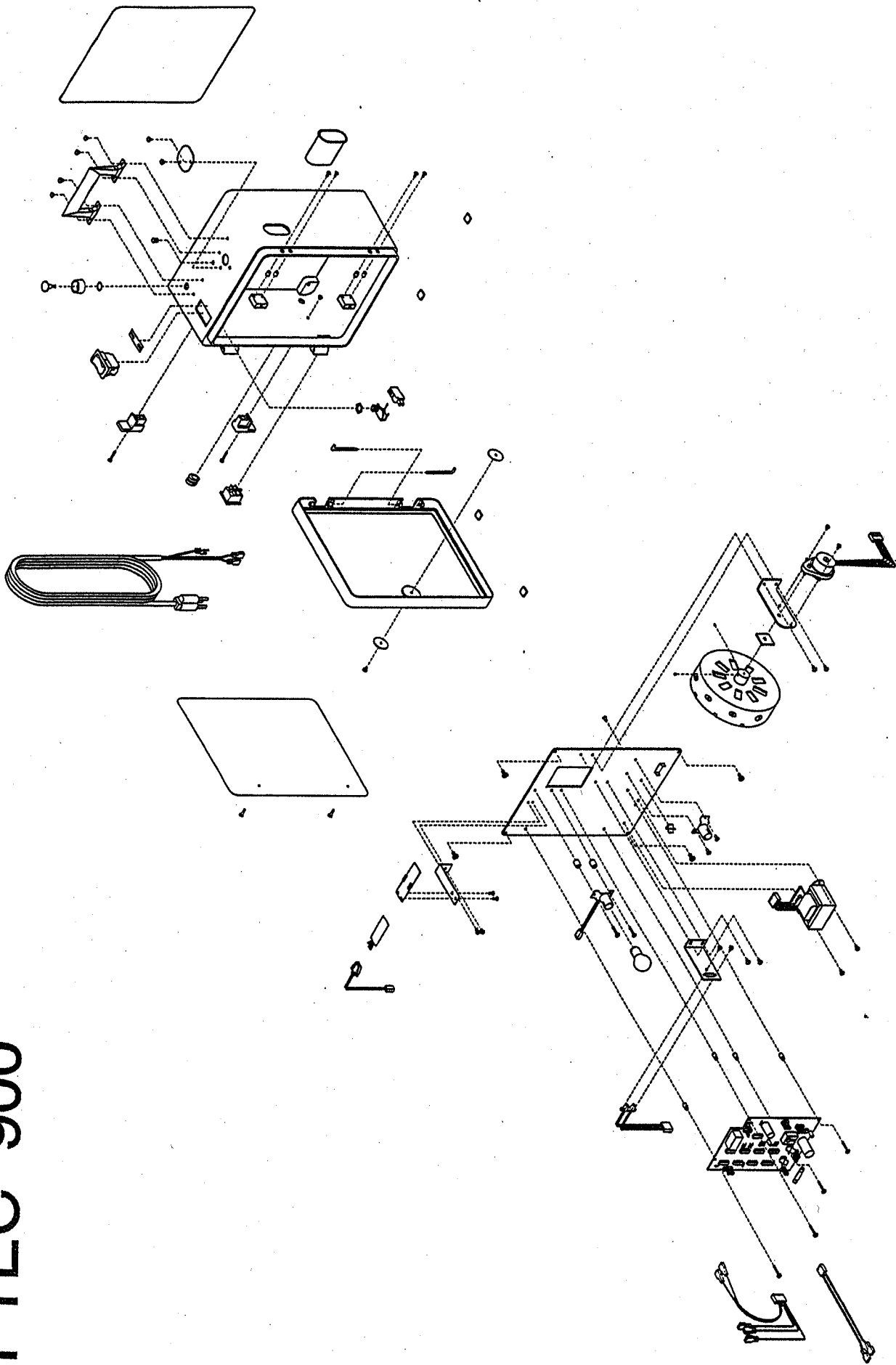
TARGET LAMP REPLACEMENT

- o Push target lamp inward toward the lamp socket and rotate lamp counter clockwise until it stops, remove lamp and discard.
- o Remove spare target lamp from its holder (as described above, do not discard)
- o Align pins on new target lamp with the slots in the target lamp socket, push target lamp inward toward the lamp socket and rotate lamp clockwise until it stops. Release lamp, and it will lock in place
- o Order replacement target lamp, see parts list

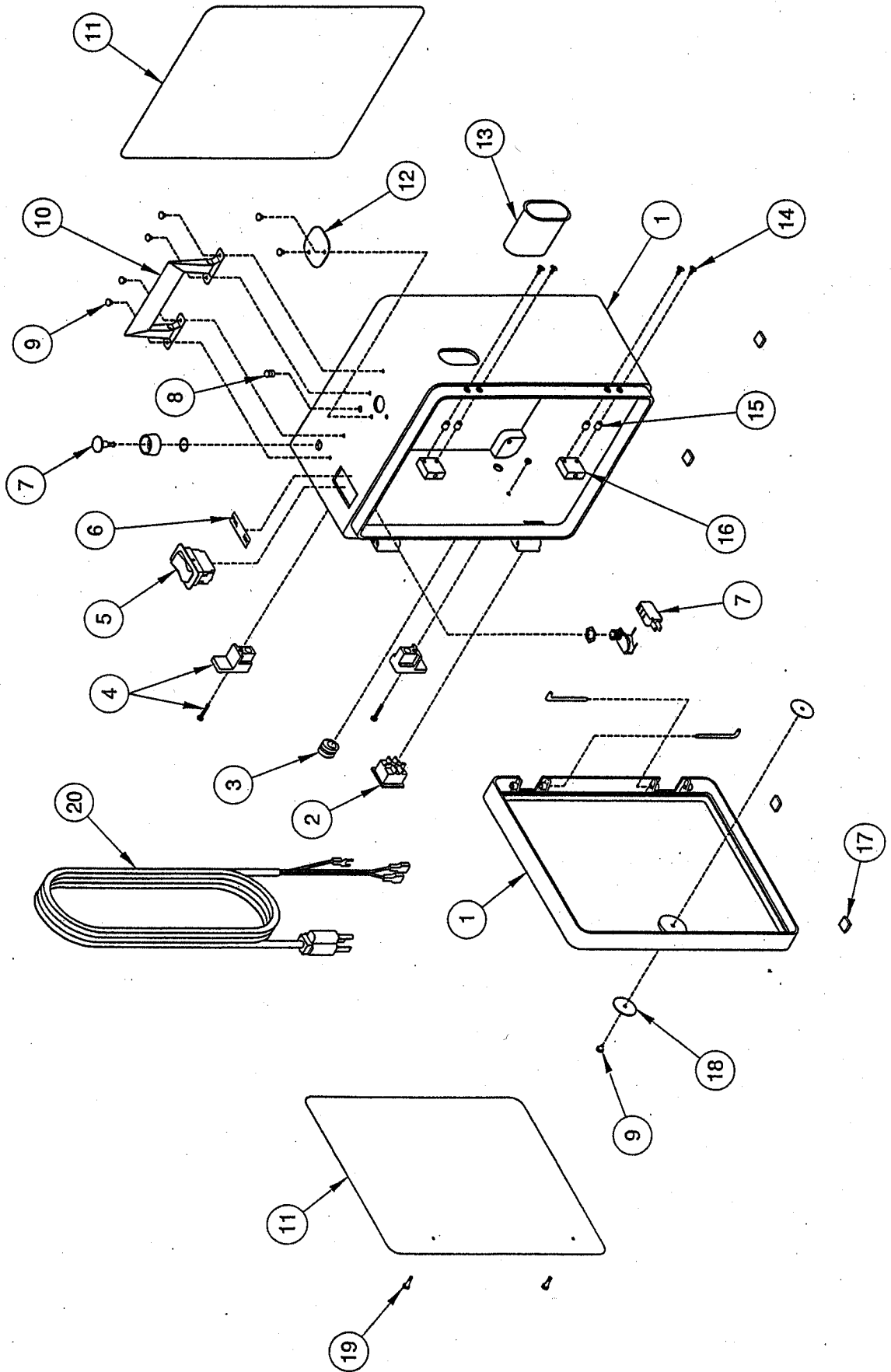
FUSE REPLACEMENT

- o Remove old fuse from circuit board and discard
- o Remove spare fuse from its holder
- o Replace the fuse at the proper location on the circuit board
- o Order a replacement fuse, see parts list

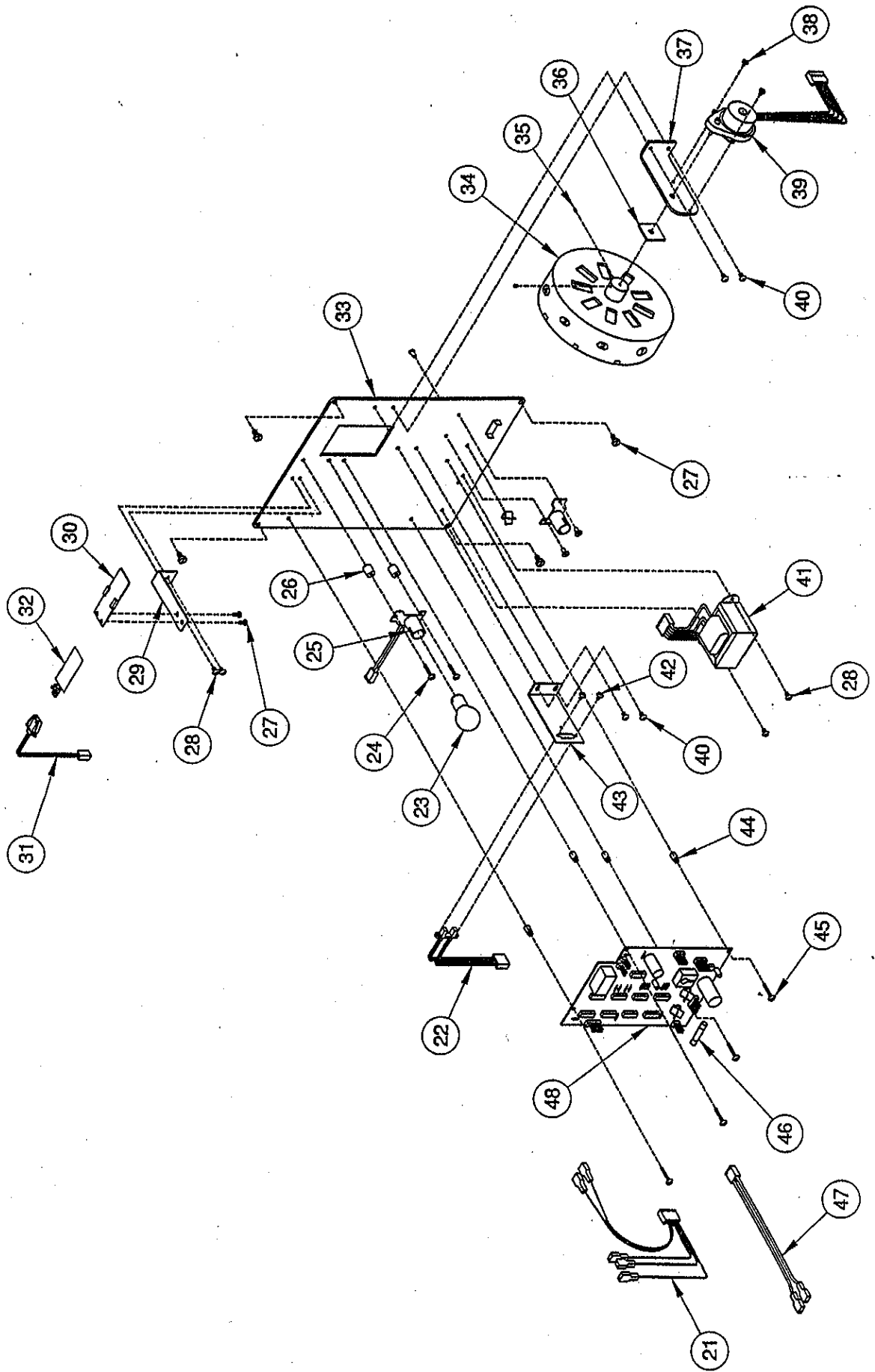
OPTEC® 900



HOUSING ASSEMBLY



INTERNAL ASSEMBLY



OPTEC® 900 U. P.

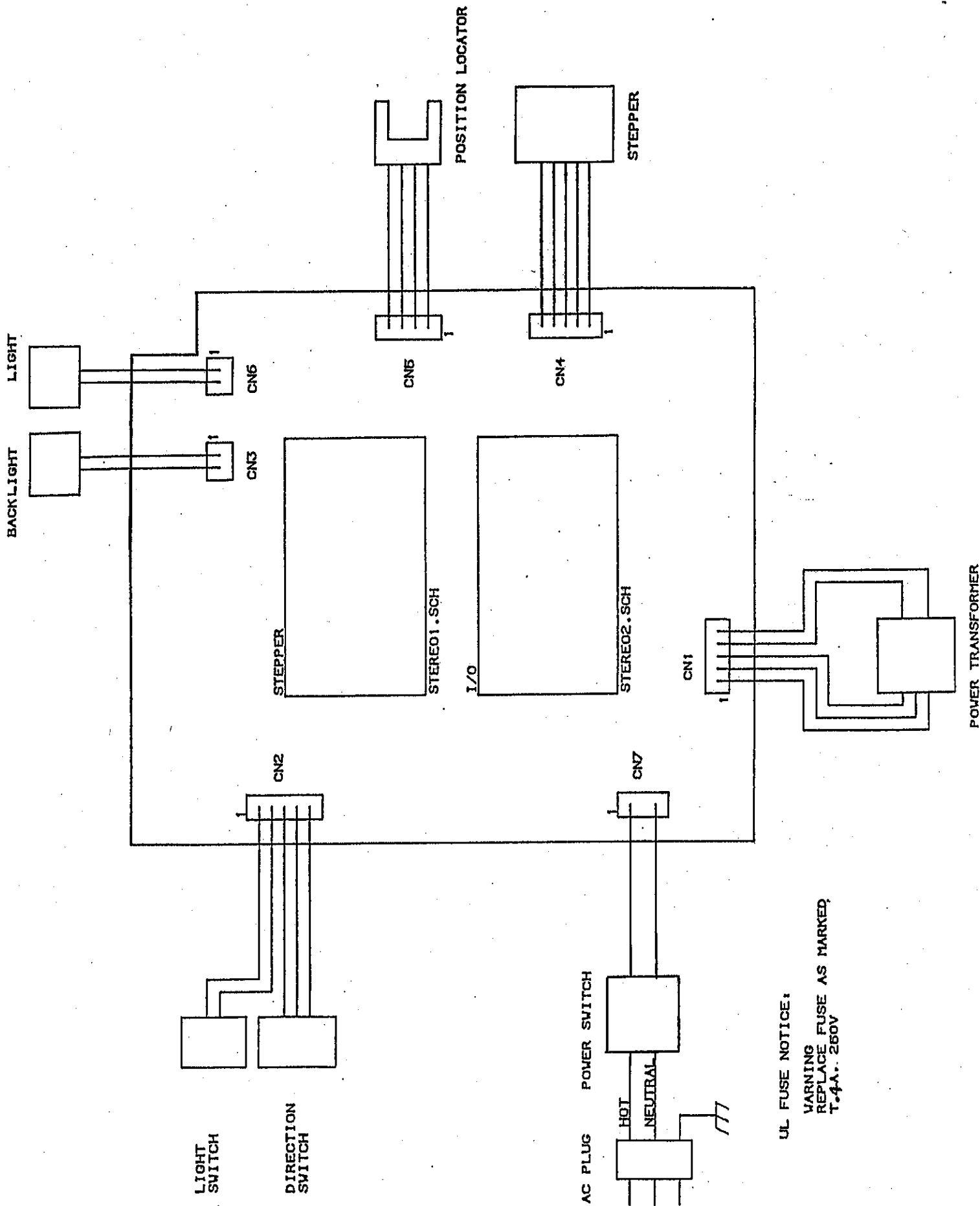
REPLACEMENT PARTS LIST FOR UNION PACIFIC

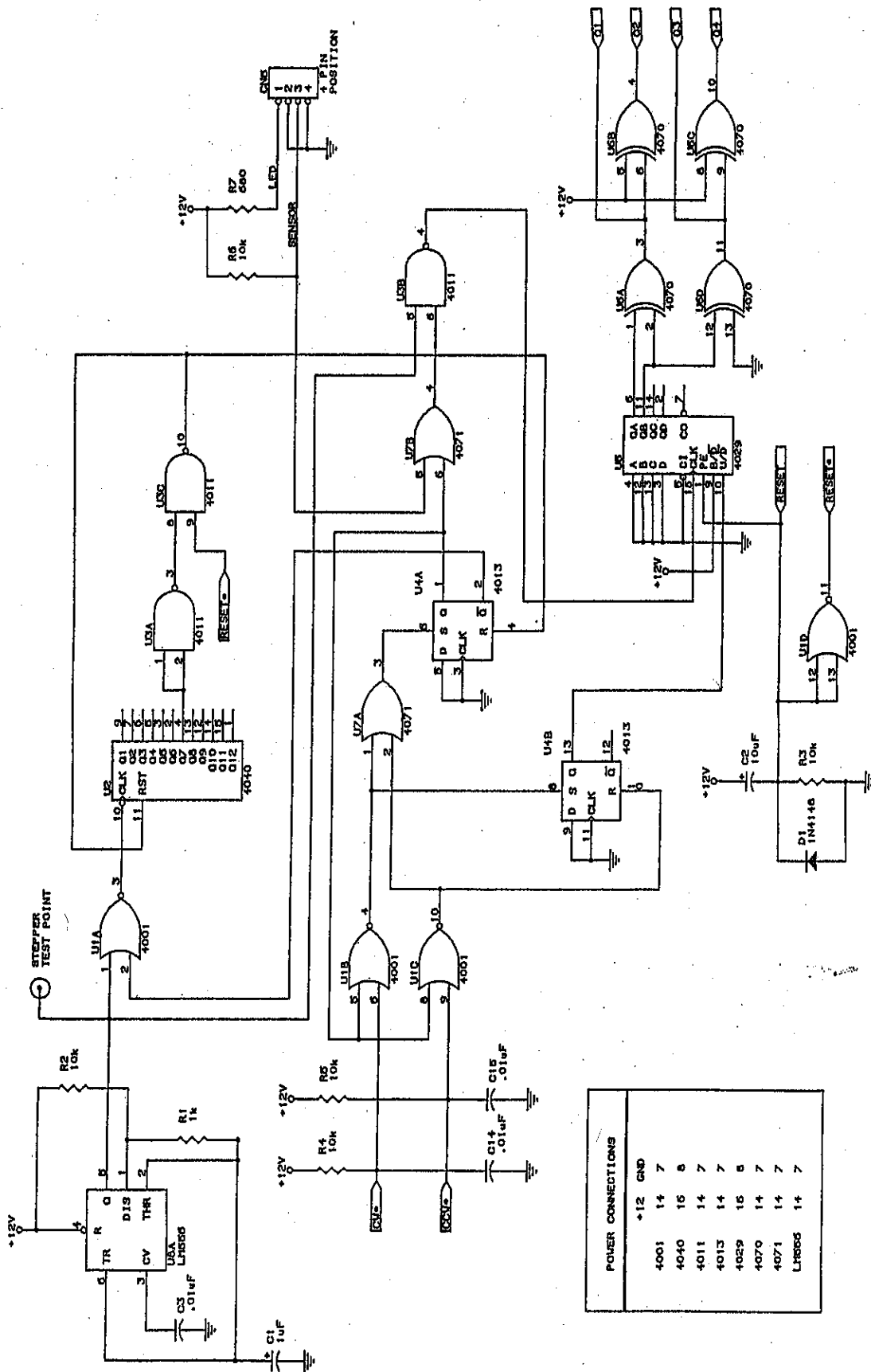
ITEM NO.	QUANTITY PER UNIT	PART NO.	DESCRIPTION
1	1	50972	HOUSING
2	1	10412	POWER SWITCH
3	1	10411	STRAIN RELIEF
4	1	10408	CORD-WRAP (SET OF 2)
5	1	10406	FWD/REV SWITCH
6	1	30643	FWD/REV LABEL
7	1	10407	SNAP SWITCH
8	1	10486	INDICATOR LENS
9	7	10405	SNAP RIVET
10	1	10066	HANDLE
11	2	51028	INSTRUCTION LABEL U. P.
12	1	30642	VIEW WINDOW
13	1	51029	APERATURE PLATE U.P.
14	4	10415	SCREW, #6-32 X 1/2
15	4	10487	3/16 SPACER
16	2	30647	HOLD DOWN PLATE
17	4	10072	RUBBER FEET
18	2	30646	HOLE PLUG
19	2	10413	CAPTIVE SCREW
20	1	50973	POWER CORD ASSEMBLY
21	1	50976	SWITCH HARNESS
22	1	50986	SENSOR SUB ASSEMBLY
23	1 (1 SPARE)	900124	LAMP
24	2	10422	SCREW, #6-32 X 3/4

OPTEC® 900 U. P.

REPLACEMENT PARTS LIST FOR UNION PACIFIC

ITEM NO.	QUANTITY PER UNIT	PART NO.	DESCRIPTION
25	1	50980	TARGET LAMP ASSEMBLY
26	2	10421	7/16 SPACER
27	6	10424	SCREW, #10-32 X 5/16
28	4	10063	SCREW, #8-32 X 1/4
29	1	30650	E. L. BRACKET
30	1	50982	E. L. PLATE
31	1	50984	E. L. HARNESS
32	1	50983	TARGET INDICATOR LAMP
33	1	30648	BACK PLATE
34	1	51030	TARGET DISK ASSEMBLY U.P.
35	2	10435	SCREW, #4-40 X 1/8
36	1	10434	VELCRO STRIP
37	1	30661	MOTOR SUPPORT BRACKET
38	2	10023	SCREW, #6-32 X 1/4
39	1	50988	MOTOR ASSEMBLY
40	4	10090	SCREW, #8-32 X 1/4
41	1	50978	TRANSFORMER ASSEMBLY
42	2	10178	SCREW, #6-25 X 1/4
43	1	30652	SENSOR BRACKET
44	4	10423	P. C. B. STANDOFF
45	4	10063	SCREW, #8-32 X 1/4
46	1 (1 SPARE)	900123	T.4A FUSE @ 250V-UL
47	1	50997	POWER SWITCH HARNESS
48	1	50992	P. C. BOARD ASSEMBLY





POWER CONNECTIONS	
+12V	GND
4001	14 7
4040	15 8
4011	14 7
4013	14 7
4029	15 8
4070	14 7
4071	14 7
4029S	14 7

